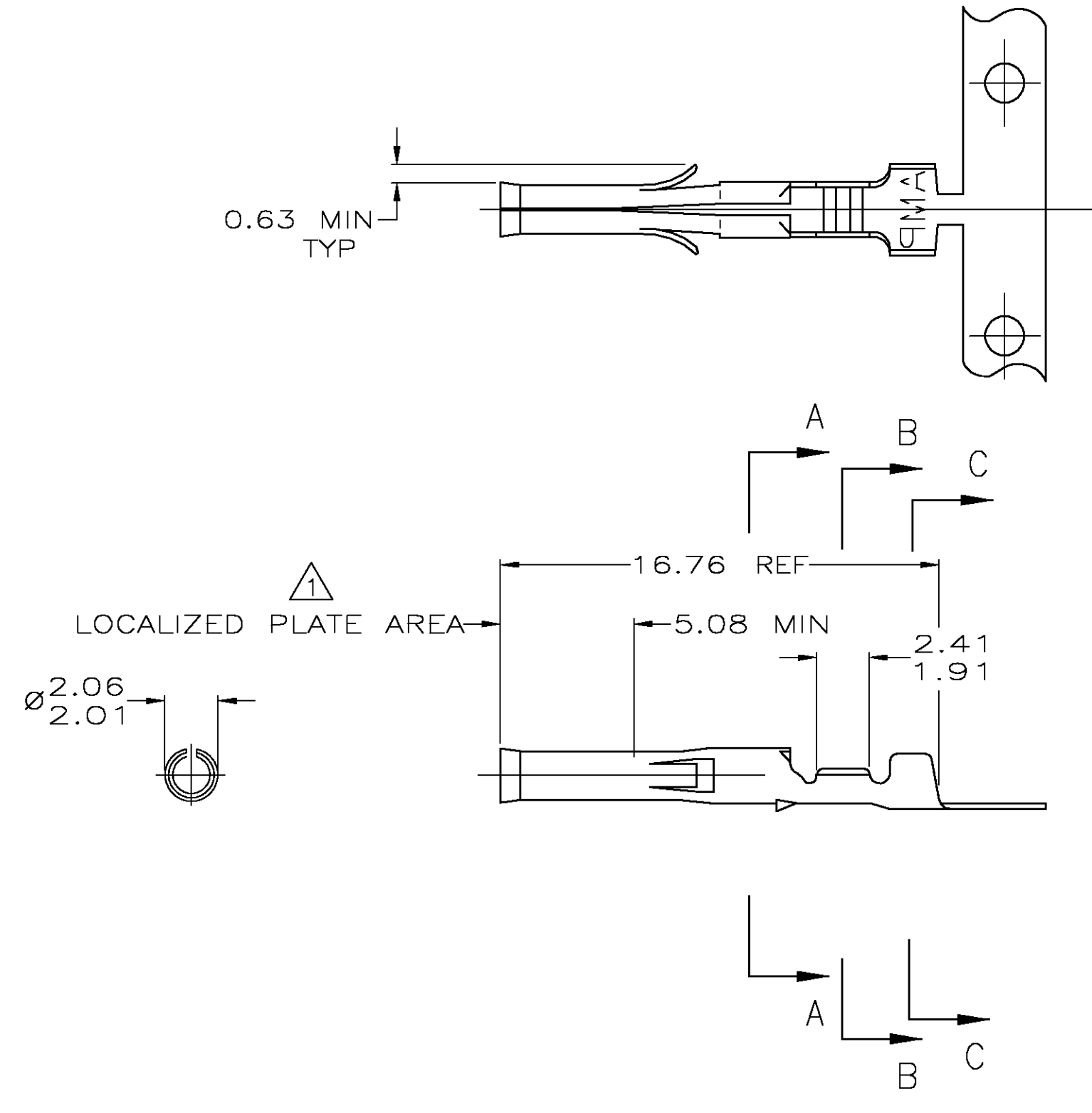
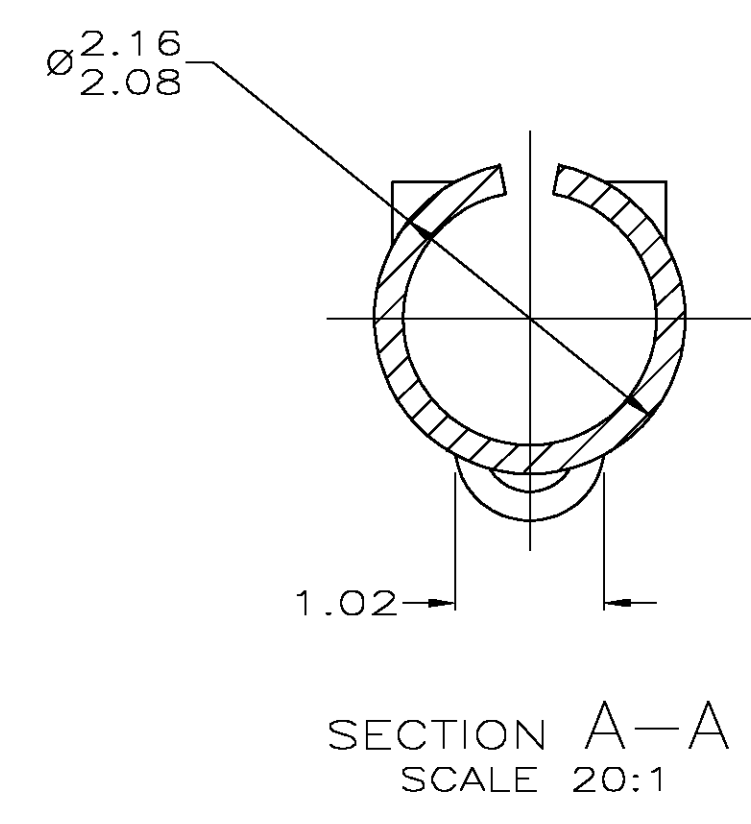
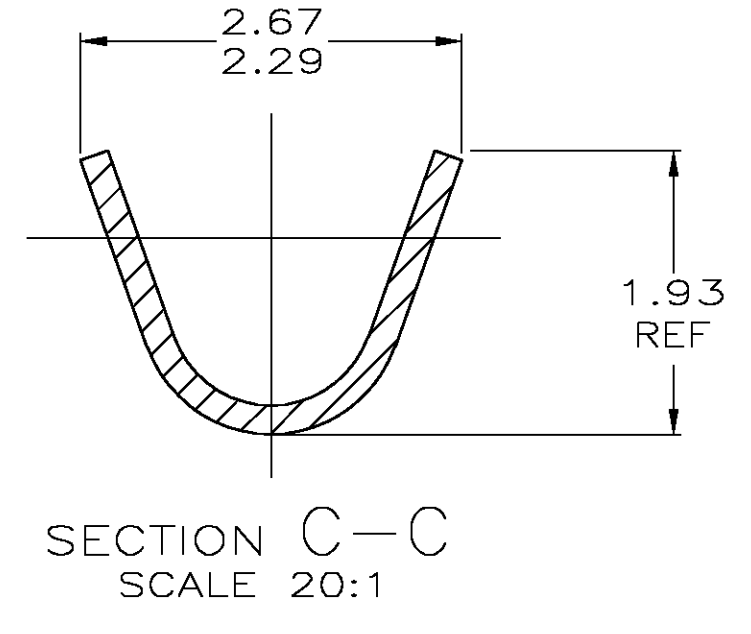
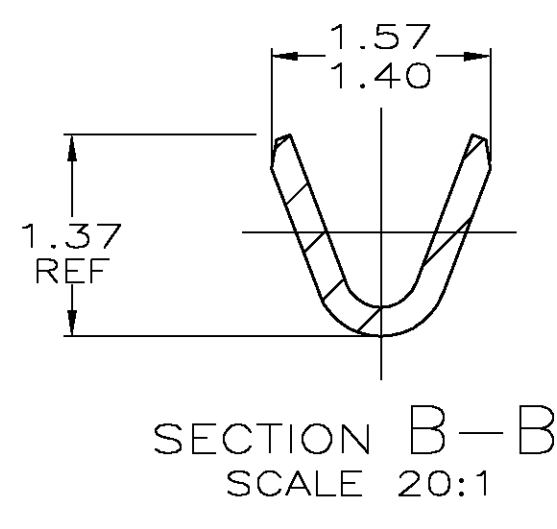
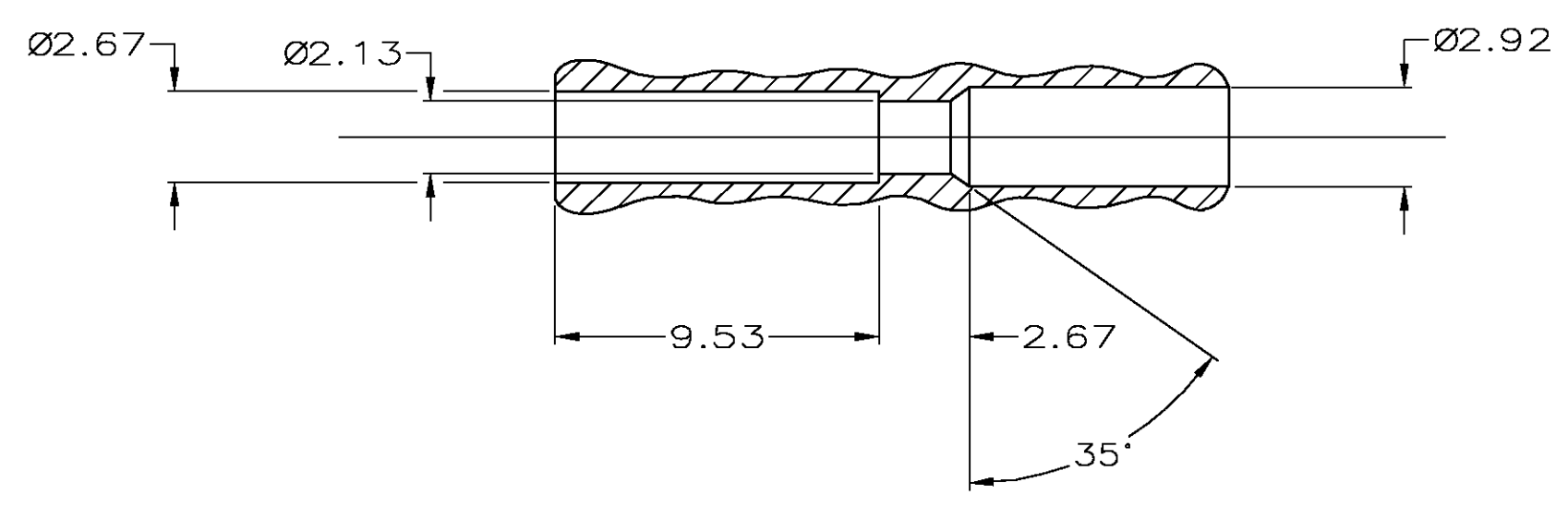


REVISIONS							
LOC	DIST	P	ZONE	LTR	DESCRIPTION	DATE	APPD
CM	53			R	REV PER EC 0730-0019-94	4-6-94	RV RS

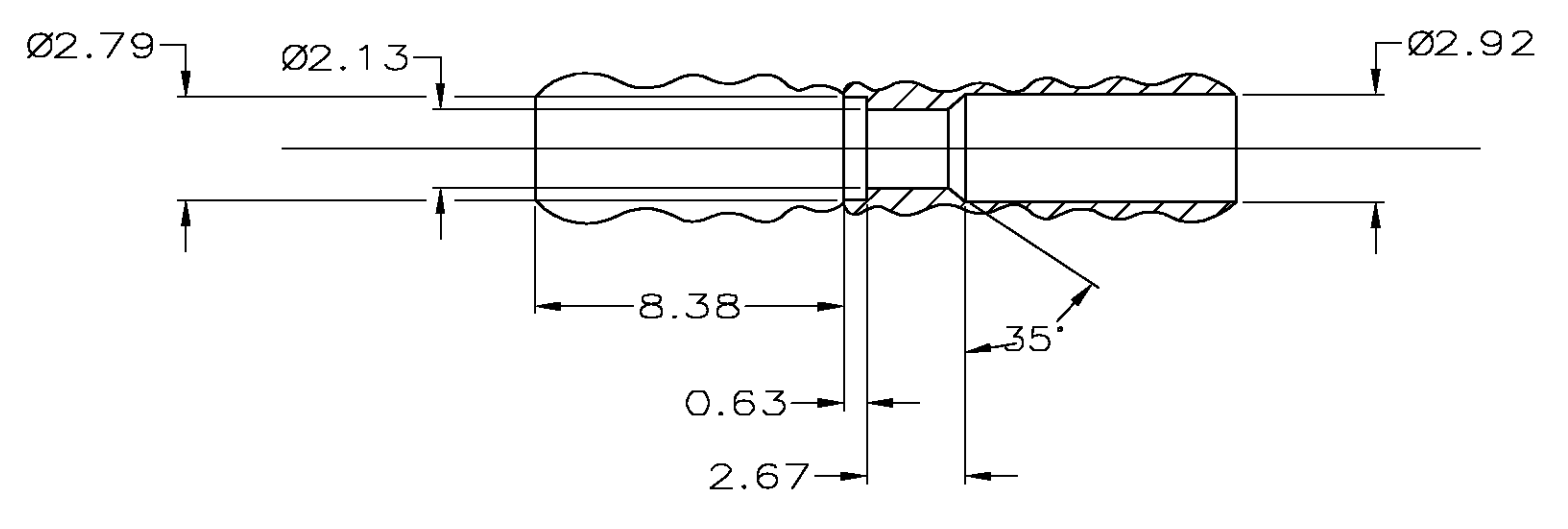


- △ 0.0013 MIN NICKEL OVER ENTIRE RECEPTACLE WITH 0.0008 MIN GOLD INSIDE RECEPTACLE IN LOCALIZED PLATE AREA.
- 2. EITHER CAVITY WILL ACCEPT RECEPTACLE 350628,640392 OR PIN 350629,640391.

.660	16.76
.375	9.53
.330	8.38
.200	5.08
.115	2.92
.110	2.79
.105	2.67
.095	2.41
.090	2.29
.085	2.16
.084	2.13
.082	2.08
.081	2.06
.079	2.01
.076	1.93
.075	1.91
.062	1.57
.060	1.52
.055	1.40
.054	1.37
.040	1.02
.025	0.63
.008	0.20
.005	0.13
.000050	0.0013
.000030	0.0008
IN	MM
CONVERSION TABLE	



TYPICAL RECEPTACLE CAVITY SECTION REFERENCE



TYPICAL PLUG CAVITY SECTION REFERENCE

METRIC

△	0.20 BRASS	1.52 MAX	30-24	640392-5
PRE-TIN	0.20 PH.BRZ.	1.52 MAX	30-24	640392-2
PRE-TIN	0.20 BRASS	1.52 MAX	30-24	640392-1
FINISH	MATERIAL	INSULATION DIAMETER	WIRE RANGE	PART NO
DO NOT SCALE PRINT. UNLESS SPECIFIED	DR 9-30-91 K. SALMON			
DIMENSIONS IN mm [INCHES]	CHK 9-30-91 R. SWING			
TOLERANCES ON :	APPD 10-1-91 C. CASH			
2 PLC DEC ± -	APPD 10-1-91 C. CASH			
3 PLC DEC ± 0.13	PRODUCT SPEC	NAME .062 SOCKET COMMERCIAL PIN & SOCKET		
ANGLES ± 0' 30'	FINISH	SIZE CAGE CODE DRAWING NO D 00779 640392		
SEE TABLE	FINISH	SCALE SHEET 5:1 10F 1		
SEE TABLE	WEIGHT	DRAWING NO 640392		